

LEFOO

LFH51 SERIES

PROBE TEMPERATURE AND HUMIDITY TRANSMITTER

PRODUCT OPERATION MANUAL



OVERVIEW AND PARAMETERS

- Compact sizes, Simple installation
- Over-voltage and reverse connection protection of power supply and output
- High protection grade of IP65

OVERVIEW

H51 series temperature and humidity transmitter adopts high-precision digital probe, which has good long-term stability and anti-interference ability, small size, simple installation and easy operation. There are three output modes of voltage, current and RS485 to choose from. It can be widely used in ventilation ducts, industrial workshops, warehouses and other places that need to measure temperature and humidity.

PARAMETER

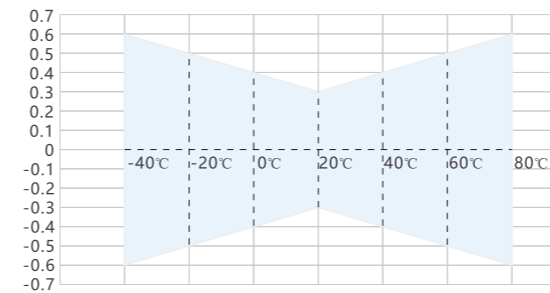
1)Relativehumidity

Sensor	Digital
Range	0%~100%
Output	RS485/Modbus,0~10VDC,4~20mAoptional
Response time	≤10s(20°C, slow flow air)
Precision	±3%@20°C&60%RH, other humidity points keep ±5.0%RH@20°C

2)Temperature

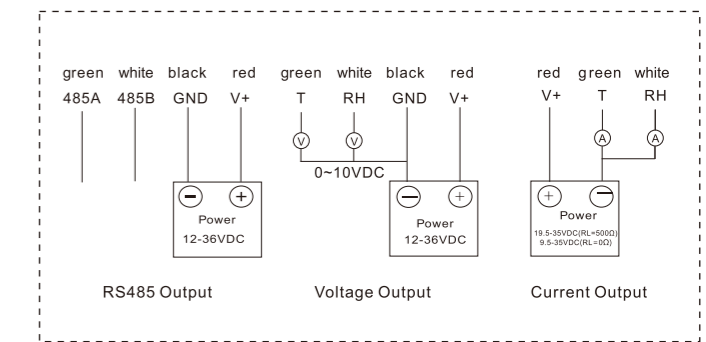
Sensor	Digital
Range	0~50°C, -20~60°C
Output	0~10VDC, RS485/Modbus, 4~20mA, optional
Precision	±0.3°C@20°C (see temperature accuracy curve)
Power supply	Voltage/RS485 type: 12-36VDC Current type:19.5~35VDC(RL=500Ω) /9.5~35VDC(RL=0Ω)
Output load	≥2KΩ(voltage type) ≤250Ω (Current type)
Shell material	PA6 CASE
Working environment	-40~85°C, 5%-95%RH(non-condensing)
Protection class	IP65

3)Digitalsensortemperatureaccuracycurve



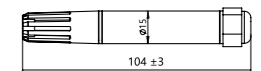
WIRING AND DIMENSIONS

WIRING INSTRUCTIONS

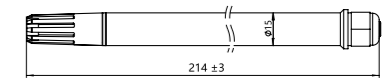


PRODUCT SIZE

Voltage type, 485 type



Current mode



Note: Unit (mm)

SELECTION INSTRUCTIONS

SELECTION INSTRUCTIONS

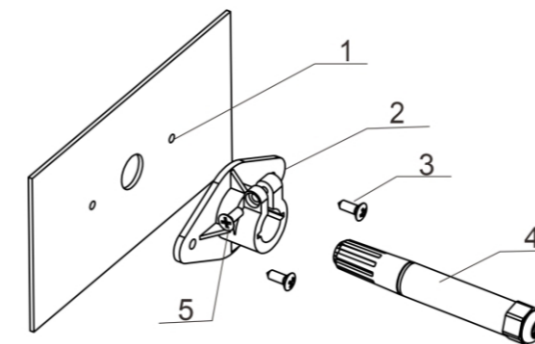
Model	H51-					Probe type temperature and humidity transmitter
Temperature and humidity accuracy		3				±3%RH(±0.3°C)
Humidity output			V10 RS A4			0~10VDC (three lines) RS485/Modbus 4~20mA(two lines)
Temperature output				V10 RS A4		0~10VDC (three lines) RS485/Modbus 4~20mA(two lines)
Temperature range					0 1 2 8	none 0~50°C -20~60°C Other (customer specified)

NOTICE:

1. Only when the temperature output option is V10 and A4, the corresponding temperature range 1-8 needs to be selected; otherwise, only 0 can be selected.
2. The current type output adopts a long pole.
3. The sensor probe of this product is exposed to high concentrations of chemical gases for a long time, which may cause the reading of the sensor to shift.
4. Example LFH51-3V10V102 represents probe type, temperature and humidity accuracy is ±3%RH@20°C&60%RH(±0.3°C@20°C) humidity output 0-10VDC, temperature output 0~10VDC, temperature range -20~60°C.

INSTALLATION AND PRECAUTIONS

PRODUCT INSTALLATION



- ①Opening;
- ②.Install the fixed flange;
- ③.Tighten the set screw;
- ④.Insert the temperature and humidity transmitter and fine-tune the position;
- ⑤.Tighten the flat tail self-tapping screw .

PRECAUTIONS

1. Avoid close to heat sources, cold sources, or direct sunlight.
2. Not suitable for use in the environment of oil pollution, organic solvent and corrosive gas.
3. When in dust and other environments, the filter membrane of the probe must be cleaned regularly.
4. When not in use for a long time, please store it in a dry environment.

01

02

03

04

05