

## LFT720A Single Flange-mount Remote Pressure Transmitter

### FEATURES

- High-precision pressure sensor using MEMS monocrystalline silicon
- Fast response time, high stability, measurement accuracy 0.075%FS
- Provide standard HART bus communication mode, perfect self-diagnosis and remote communication function
- High brightness LCD display with backlight, reversible local display screen
- Local zeroing function, local zero point, full point setting and adjustment function
- Convenient in-place current loop calibration function
- Various process connection options available according to requirements



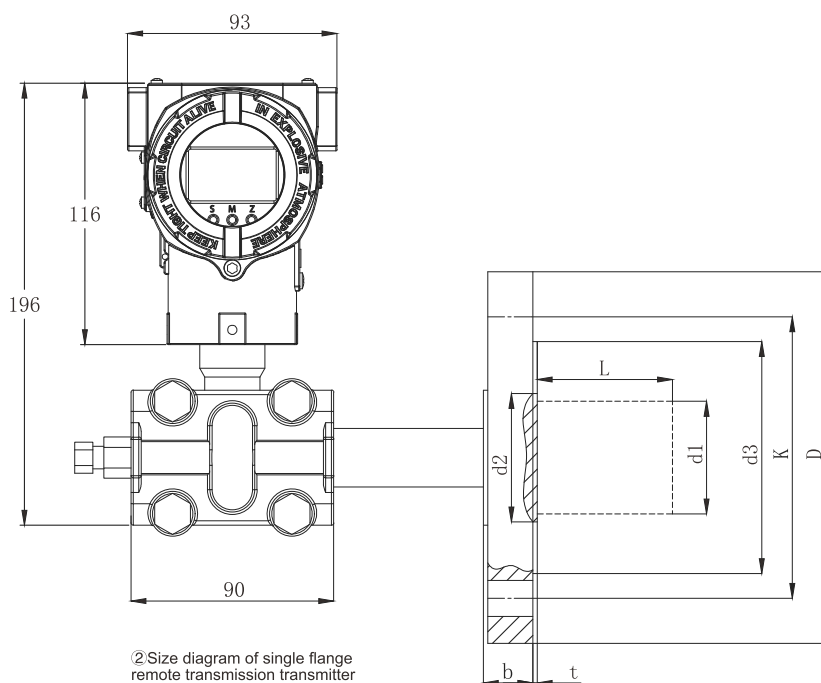
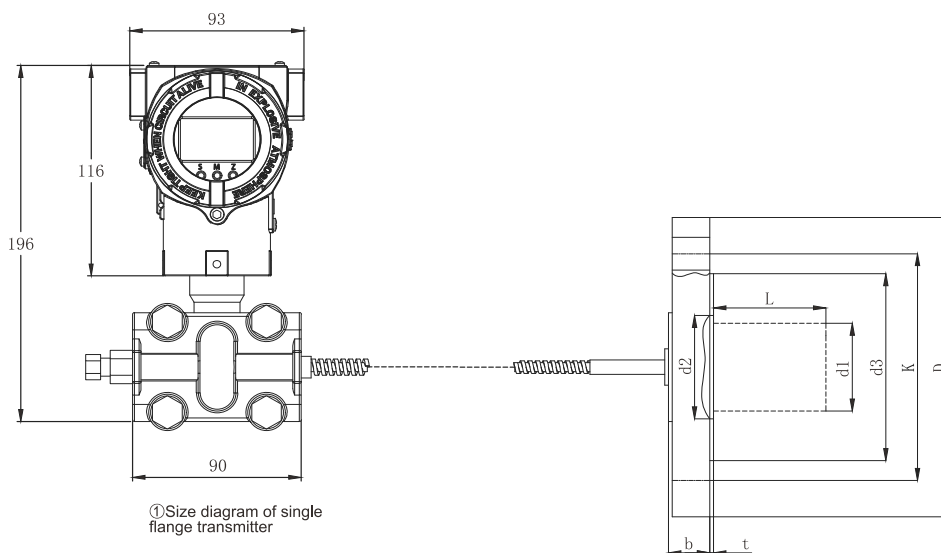
### DESCRIPTION

LFT720 Flange-mounted Transmitter is composed of LFT710 Differential Pressure Transmitter and a welded liquid level flange. Between the flange and the sensor, silicon oil and other filling fluids are used to transmit pressure, to prevent the measured medium from passing through the impulse pipe then impact the measurement. The impact of the measured medium pass through the impulse pipe includes: crystallization, solidification, vaporization (boiling), condensation, fractionation (severe change) and etc. The transmitter is used to measure the liquid level, flow and pressure of liquid, gas or steam, and then convert it into 4~20mA signal output. The working principle of the LFT720 Flange-mounted Transmitter is the same as LFT710 Differential Pressure Transmitter except that the pressure transmission path on the positive pressure side is slightly different, that is the pressure acting on the high-pressure side first passes through the diaphragm of the liquid level flange and the filling liquid, and then pass through the transmitter body, and finally reach the high pressure side of the measuring sensor.

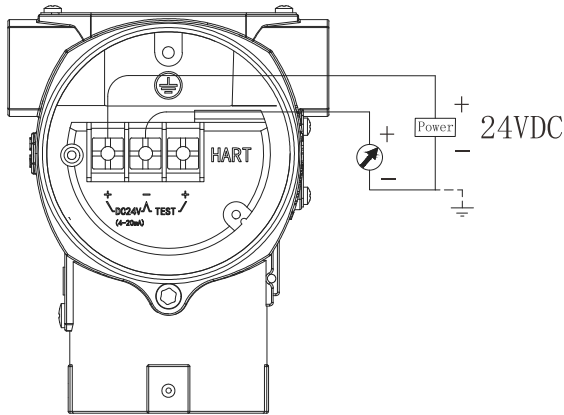
### SPECIFICATION

Measurement range	6KPa、40KPa、250KPa、1MPa、3MPa	
Accuracy	±0.075%F.S	
Stability	±0.2% of the upper range	
Operating temperature	-20~70℃ with display	
Storage temperature	-40~85℃	
Media to be measured	Gas, liquid	
Diaphragm material	316L, Hastelloy C, tantalum, others	
Electrical Performance	2-wire	
Output Signal	4~20mA	4~20mA HART
Power supply	12~36VDC	12~36VDC
Electrical connection	M20*1.5 waterproof outlet wire, NPT1/2 waterproof outlet wire	
Enclosure protection level	IP65	
Pressure interface	Flange PN series, flange class series, other	
Pressure type	Gauge pressure G	
Certification items	ExdIICT6、CE	

## DIMENSION (mm)

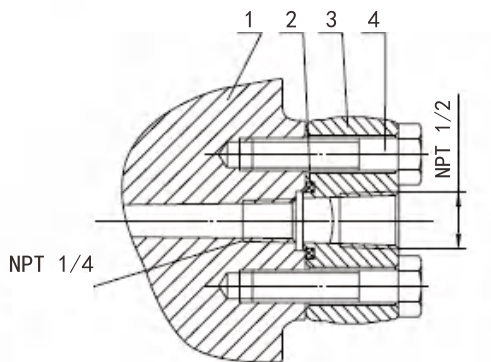


## ELECTRICAL CONNECTION



**Note:** The quick interface function is equivalent to the signal terminal.

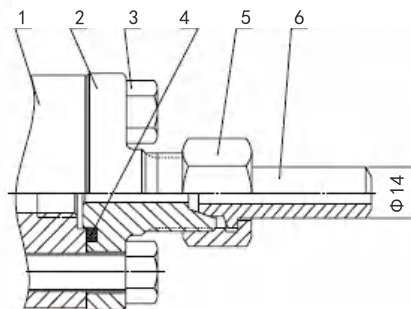
## PROCESS CONNECTION DESCRIPTION



- 1/2-NPT stainless steel oval flange (code 1)

**comment:**

1. Pressure chamber flange
2. O-shaped seal diagram
3. NPT1/2 oval with flange
4. bolt



- M20x1.5 stainless steel T-shaped joint (code 2)

**comment:**

1. Pressure chamber flange
2. M20x 1.5 T-shape
3. Male thread connector
4. O-ring, sealing ring
5. Nut M20x15
6. Impulse tube

## ORDER REF NO.

### 1. Differential pressure single flange (selection)

Model and specification code list				Delivery
Differential pressure transmitter selection LFT720-				
1	Range	C	0-1KPa~40KPa(0-100~4000mmH <sub>2</sub> O)/(0-10~400mbar )	
		D	0-2.5KPa~250KPa(0-0.25~25mH <sub>2</sub> O)/(0-25~2500mbar )	
		E	0-10KPa~1MPa(0-1~100mH <sub>2</sub> O)/(0-0.1~10bar )	
		F	0-30KPa~3MPa(0-3~300mH <sub>2</sub> O)/(0-0.3~30bar )	
2	Diaphragm material	S	316L	
		H	Hastelloy C (insert cylinder does not have this option)	
		T	Tantalum (insert barrel does not have this option)	
3	Process Fill Fluid	D	Normal temperature silicone oil(-40~205℃)	
		C	High temperature silicone oil(0~315℃)	
4	Electrical Interface	1	M20*1.5 Female thread,PVC	
		2	M20*1.5 Female thread,stainless steel	
		3	1/2NPT Female thread,PVC	
		4	1/2NPT Female thread,stainless steel	
5	Flange Standard	N	HG-T20592-2009(Steel pipe flange PN series) (Quoting European DIN system standard)	
		J	HG-T20615-2009(Steel pipe flange Class series) (refer to American ANSI system standard)	
		F	Other Flange Standards	
6	Flange Size	3	DN50	2inch
		4	DN80	3inch
		5	DN100	3inch
		6	OTHER	
7	Nominal Pressure Rating	1	PN2.5、PN6	
		2	PN10、PN16	Class150(1b)
		3	PN25、PN40	Class300(1b)
		Y	Other	
8	Insertion Barrel Extension Length	0	0(without insert barrel))	
		2	50mm	
		4	100mm	
		6	150mm	
		8	200mm	
		Y	special requirements	
9	Explosion-Proof Treatment	N	normal type	
		D	Flameproof ExdIICT6	
10	Display	M5	with display	
		N	no display	
11	Additional Requirements	P	The material of the chamber flange is 304, 316L is optional	
		N	Bolts and nuts are made of colored zinc, stainless steel is optional	
		K	Degreasing and cleaning treatment	
		L	Hanging number plate	
		H	Lightning protection (transient voltage resistance)	
		E	English nameplate	

## 2. Differential pressure double flange (option)

Model and specification code list				Delivery
Differential pressure transmitter selection LFT720-				
1	Range	C	0-4KPa~40KPa(0-400~4000mmH <sub>2</sub> O)/(0-40~400mbar )	
		D	0-5KPa~250KPa(0-0.5~25mH <sub>2</sub> O)/(0-50~2500mbar )	
		E	0-100KPa~1MPa(0-10~100mH <sub>2</sub> O)/(0-1~10bar )	
2	Diaphragm material	S	316L	
		H	Hastelloy C (insert cylinder does not have this option)	
		T	Tantalum (insert barrel does not have this option)	
		Y	special requirements	
3	Process Fill Fluid	D	Normal temperature silicone oil(-40~205℃)	
		C	High temperature silicone oil(0~315℃)	
4	Electrical Interface	1	M20*1.5 Female thread,PVC	
		2	M20*1.5 Female thread,stainless steel	
		3	1/2NPT Female thread,PVC	
		4	1/2NPT Female thread,stainless steel	
5	Flange Standard	N	HG-T20592-2009(Steel pipe flange PN series) (Quoting European DIN system standard)	
		J	HG-T20615-2009(Steel pipe flange Class series) (refer to American ANSI system standard)	
		F	Other Flange Standards	
6	Flange Type	P	Flat type (only DN50, 2 inches and above)	
		R	Flange Type	
		E	Insert barrel type (only DN80, 2 inches and above)	
7	Flange Size	1	DN25	1Inch
		2	DN40	1½Inch
		3	DN50	2Inch
		4	DN80	3Inch
		5	DN100	4Inch
		6	OTHER	
8	Nominal pressure rating	1	PN2.5、PN6	Class150(1b)
		2	PN10、PN16	Class300(1b)
		3	PN25、PN40	
		Y	special requirements	
9	Insertion barrel extension length	0	0 (without insert cartridge)	
		2	50mm	
		4	100mm	
		6	150mm	
		8	200mm	
		Y	special requirements	
10	High pressure H end low pressure L end capillary length	<input type="checkbox"/>	The length of the capillary is from 1 to 10m, represented by <input type="checkbox"/> <input type="checkbox"/> (Example: 4m, 04)	
		<input type="checkbox"/>	The length of the capillary is from 1 to 10m, represented by <input type="checkbox"/> <input type="checkbox"/> (Example: 4m, 04)	
11	Explosion-proof treatment	N	Ordinary type	
		D	Exproof ExdIICT6	
12	Display	M5	With display	
		N	No Display	
13	Additional Requirements	B	Mounting brackets	
		P	The material of the chamber flange is 304, 316L is optional	
		N	Bolts and nuts are made of colored zinc, stainless steel is optional	
		K	Degreasing and cleaning treatment	
		L	Hanging number plate	
		H	Lightning protection(transient voltage resistance)	
E	English nameplate			